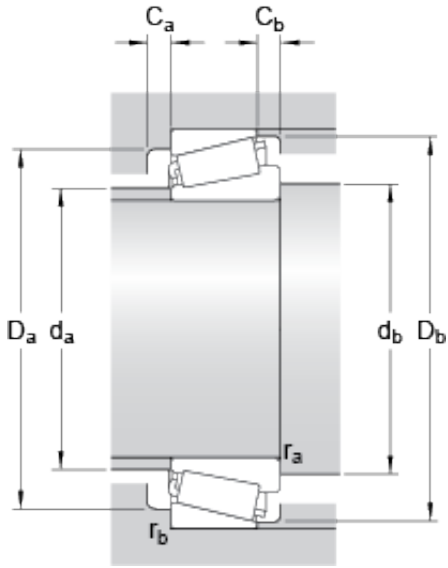




# PCIF BEARING LIMITED

## Truck Use SKF Tapered Roller Bearing 30206 Bearing

Bearing No. 30206



30206 Bearing 2D drawings and 3D CAD models

Dimension series	3DB
d	30 mm
D	62 mm
T	17.25 mm
d <sub>1</sub>	45.3 mm
B	16 mm
C	14 mm
r <sub>1,2</sub> min.	1 mm
r <sub>3,4</sub> min.	1 mm
a	13.643 mm
d <sub>a</sub> max.	38 mm
d <sub>b</sub> min.	37 mm
D <sub>a</sub> min.	53 mm
D <sub>a</sub> max.	56 mm
D <sub>b</sub> min.	57 mm
C <sub>a</sub> min.	2 mm
C <sub>b</sub> min.	3 mm
r <sub>a</sub> max.	1 mm
r <sub>b</sub> max.	1 mm
Basic dynamic load rating C	50 kN
Basic static load rating C <sub>0</sub>	44 kN
Fatigue load limit P <sub>u</sub>	4.8 kN
Reference speed	9000 r/min
Limiting speed	11000 r/min
Calculation factor e	0.37



## PCIF BEARING LIMITED

Calculation factor Y	1.6
Calculation factor $Y_0$	0.9
Mass bearing	0.23 kg