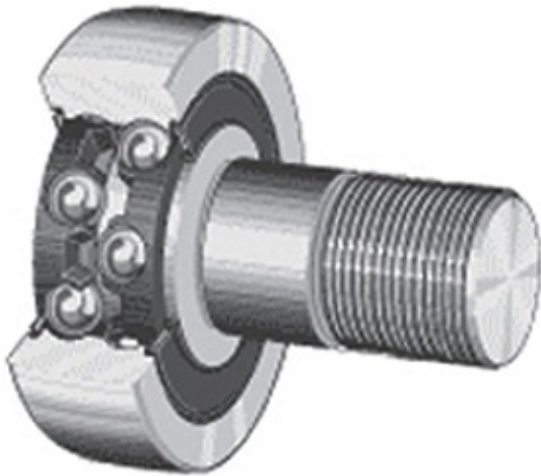




PCIF BEARING LIMITED

PCI PTR-2.00 Cam Follower and Track Roller - Stud Type



PTR-2.00 Bearing 2D drawings and 3D CAD models

Bearing No. PTR-2.00

Category	Cam Follower and Track Roller - Stud Type
Inventory	0.0
Manufacturer Name	PROCAL INNOVATIONS LLC WWW.PCIMFG.COM
Minimum Buy Quantity	N/A
Weight	0.59
Product Group	B04120
Roller Surface Profile	Flat
Profile	Stud Type
Thread Size	7/8-14
Stud Profile	Standard Stud
Enclosure	Sealed
Rolling Element	Ball Bearing - Double Row
Relubricatable	No
Hex Socket	Yes
Inch - Metric	Inch
Long Description	2" Roller Diameter; 1-11/16" Roller Width; Flat Roller Surface; Stud Type; 7/8" Stud Diameter; 7/8-14 Thread; Standard Stud; Sealed; Ball Bearing - Double Row; Not Relubricatable; Hex S
Category	Cam Followers Stud Type
UNSPSC	31171530



PCIF BEARING LIMITED

Harmonized Tariff Code	8482.10.50.68
Noun	Bearing
Keyword String	Cam Follower
Manufacturer URL	http://www.pcimfg.com
Manufacturer Item Number	PTR-2.00
Weight / LBS	1.3
Roller Diameter	2 Inch 50.8 Millimeter
Stud Diameter	0.875 Inch 22.225 Millimeter
Roller Width	1.688 Inch 42.875 Millimeter