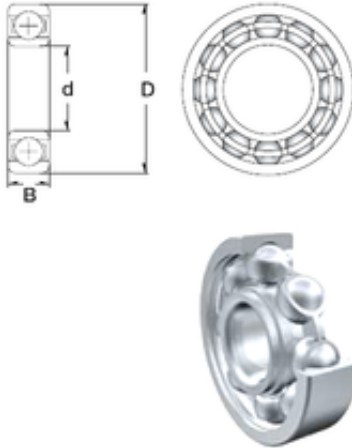




# PCIF BEARING LIMITED

70 mm x 90 mm x 10 mm ZEN S61814 deep groove ball bearings



Bearing No. S61814

Size	70x90x10 mm
Bore Diameter	70 mm
Outer Diameter	90 mm
Width	10 mm
d	70 mm
D	90 mm
B	10 mm
C	10 mm
Basic dynamic load rating (C)	12,1 kN
Basic static load rating (C0)	11,9 kN
(Grease) Lubrication Speed	6800 r/min

S61814 Bearing 2D drawings and 3D CAD models