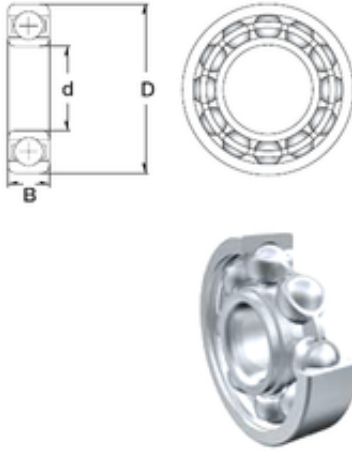




PCIF BEARING LIMITED



2 mm x 6 mm x 3 mm ZEN S692-2Z deep groove ball bearings

Bearing No. S692-2Z

Size	2x6x3 mm
Bore Diameter	2 mm
Outer Diameter	6 mm
Width	3 mm
d	2 mm
D	6 mm
B	3 mm
C	3 mm
Basic dynamic load rating (C)	0,33 kN
Basic static load rating (C0)	0,099 kN

S692-2Z Bearing 2D drawings and 3D CAD models