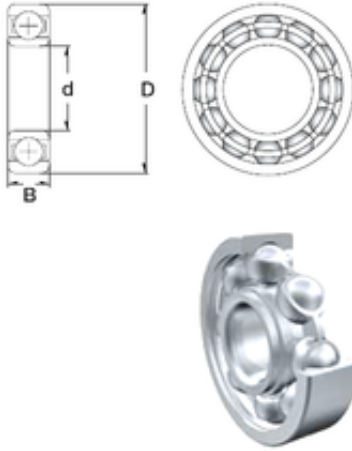




PCIF BEARING LIMITED

180 mm x 225 mm x 22 mm ZEN 61836 deep groove ball bearings



Bearing No. 61836

Size	180x225x22 mm
Bore Diameter	180 mm
Outer Diameter	225 mm
Width	22 mm
d	180 mm
D	225 mm
B	22 mm
C	22 mm
Basic dynamic load rating (C)	62 kN
Basic static load rating (C0)	76 kN
(Grease) Lubrication Speed	2400 r/min

61836 Bearing 2D drawings and 3D CAD models