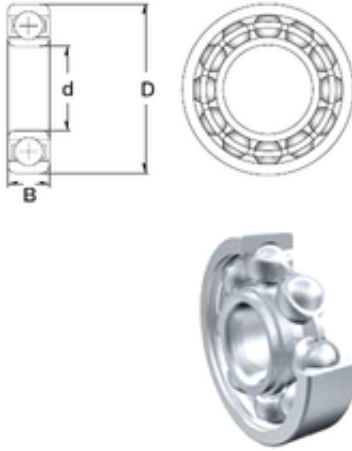




# PCIF BEARING LIMITED

60 mm x 110 mm x 22 mm ZEN S6212 deep groove ball bearings



Bearing No. S6212

Size	60x110x22 mm
Bore Diameter	60 mm
Outer Diameter	110 mm
Width	22 mm
d	60 mm
D	110 mm
B	22 mm
C	22 mm
Weight	0,78 Kg
Basic dynamic load rating (C)	47,5 kN

S6212 Bearing 2D drawings and 3D CAD models