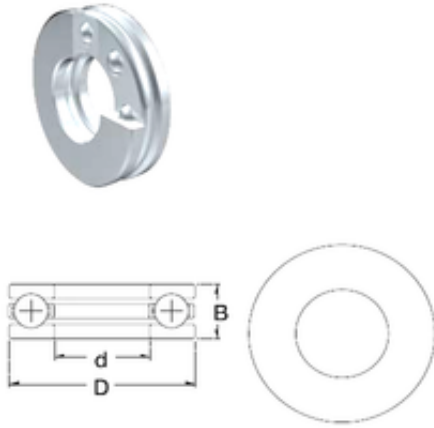




# PCIF BEARING LIMITED

## ZEN S51312 thrust ball bearings

Bearing No. S51312



S51312 Bearing 2D drawings and 3D CAD models

Size	60x110x35 mm
Bore Diameter	60 mm
Outer Diameter	110 mm
Width	35 mm
d	60 mm
D	110 mm
H	35 mm
Basic dynamic load rating (C)	100 kN
Basic static load rating (C0)	208 kN
(Grease) Lubrication Speed	1600 r/min