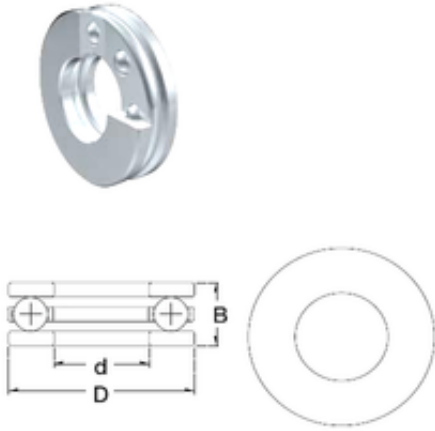




# PCIF BEARING LIMITED

## ZEN F9-17 thrust ball bearings

Bearing No. F9-17



F9-17 Bearing 2D drawings and 3D CAD models

Size	9x17x5 mm
Bore Diameter	9 mm
Outer Diameter	17 mm
Width	5 mm
d	9 mm
D	17 mm
H	5 mm
Basic dynamic load rating (C)	0,578 kN
Basic static load rating (C0)	0,627 kN