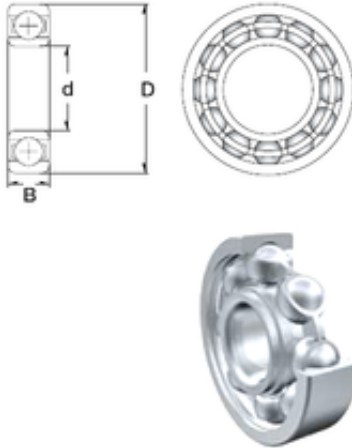




# PCIF BEARING LIMITED

7 mm x 13 mm x 4 mm ZEN MR137-2Z deep groove ball bearings



Bearing No. MR137-2Z

Size	7x13x4 mm
Bore Diameter	7 mm
Outer Diameter	13 mm
Width	4 mm
d	7 mm
D	13 mm
B	4 mm
C	4 mm
Basic dynamic load rating (C)	0,541 kN
Basic static load rating (C0)	0,276 kN

MR137-2Z Bearing 2D drawings and 3D CAD models