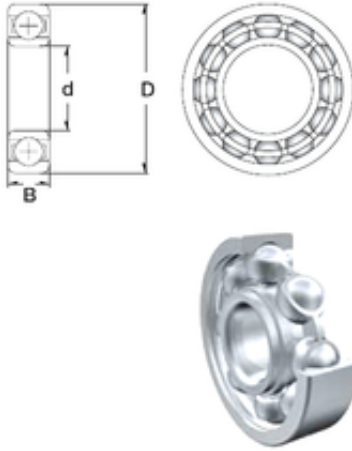




PCIF BEARING LIMITED

7 mm x 17 mm x 5 mm ZEN S697 deep groove ball bearings



Bearing No. S697

Size	7x17x5 mm
Bore Diameter	7 mm
Outer Diameter	17 mm
Width	5 mm
d	7 mm
D	17 mm
B	5 mm
C	5 mm
Basic dynamic load rating (C)	1,605 kN
Basic static load rating (C0)	0,719 kN
(Grease) Lubrication Speed	36000 r/min

S697 Bearing 2D drawings and 3D CAD models