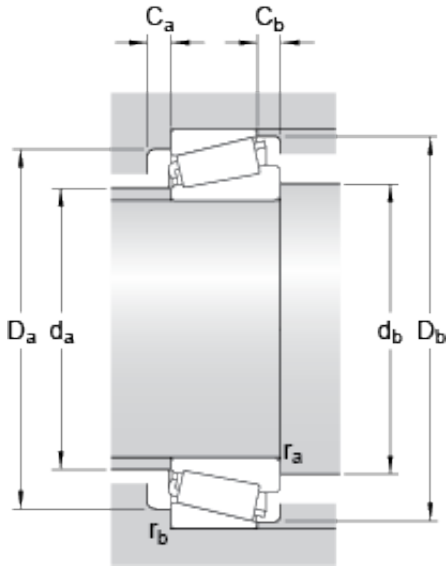




# PCIF BEARING LIMITED

## 40 mm x 75 mm x 26 mm skf 33108 bearing

Bearing No. 33108



33108 Bearing 2D drawings and 3D CAD models

Dimension series	2CE
d	40 mm
D	75 mm
T	26 mm
d <sub>1</sub>	57.5 mm
B	26 mm
C	20.5 mm
r <sub>1,2</sub> min.	1.5 mm
r <sub>3,4</sub> min.	1.5 mm
a	17.877 mm
d <sub>a</sub> max.	47 mm
d <sub>b</sub> min.	48.5 mm
D <sub>a</sub> min.	65 mm
D <sub>a</sub> max.	67.5 mm
D <sub>b</sub> min.	71 mm
C <sub>a</sub> min.	4 mm
C <sub>b</sub> min.	5.5 mm
r <sub>a</sub> max.	1.5 mm
r <sub>b</sub> max.	1.5 mm
Basic dynamic load rating C	97.5 kN
Basic static load rating C <sub>0</sub>	104 kN
Fatigue load limit P <sub>u</sub>	11.4 kN
Reference speed	7000 r/min
Limiting speed	9000 r/min
Calculation factor e	0.35
Calculation factor Y	1.7



## PCIF BEARING LIMITED

Calculation factor $Y_0$	0.9
Mass bearing	0.5 kg