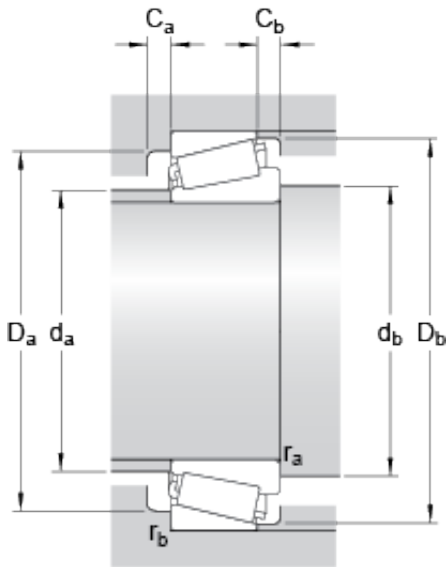




PCIF BEARING LIMITED

60 mm x 110 mm x 38 mm skf 33212 bearing

Bearing No. 33212



33212 Bearing 2D drawings and 3D CAD models

Dimension series	3EE
d	60 mm
D	110 mm
T	38 mm
d ₁	85.3 mm
B	38 mm
C	29 mm
r _{1,2} min.	2 mm
r _{3,4} min.	1.5 mm
a	27.314 mm
d _a max.	69 mm
d _b min.	70.5 mm
D _a min.	93 mm
D _a max.	102 mm
D _b min.	105 mm
C _a min.	6 mm
C _b min.	9 mm
r _a max.	2 mm
r _b max.	1.5 mm
Basic dynamic load rating C	207 kN
Basic static load rating C ₀	236 kN
Fatigue load limit P _u	26.5 kN
Reference speed	4500 r/min
Limiting speed	6000 r/min
Calculation factor e	0.4
Calculation factor Y	1.5



PCIF BEARING LIMITED

Calculation factor Y_0	0.8
Mass bearing	1.55 kg