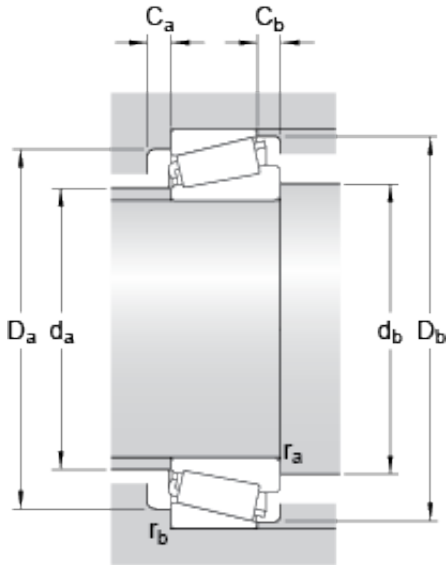




PCIF BEARING LIMITED

65 mm x 140 mm x 48 mm skf 32313 bearing

Bearing No. 32313



32313 Bearing 2D drawings and 3D CAD models

Dimension series	2GD
d	65 mm
D	140 mm
T	51 mm
d ₁	99.2 mm
B	48 mm
C	39 mm
r _{1,2} min.	3 mm
r _{3,4} min.	2.5 mm
a	33.358 mm
d _a max.	81 mm
d _b min.	78 mm
D _a min.	117 mm
D _a max.	129.5 mm
D _b min.	130 mm
C _a min.	6 mm
C _b min.	12 mm
r _a max.	3 mm
r _b max.	2.5 mm
Basic dynamic load rating C	323 kN
Basic static load rating C ₀	335 kN
Fatigue load limit P _u	40 kN
Reference speed	3600 r/min
Limiting speed	4800 r/min
Calculation factor e	0.35
Calculation factor Y	1.7



PCIF BEARING LIMITED

Calculation factor Y_0	0.9
Mass bearing	3.51 kg