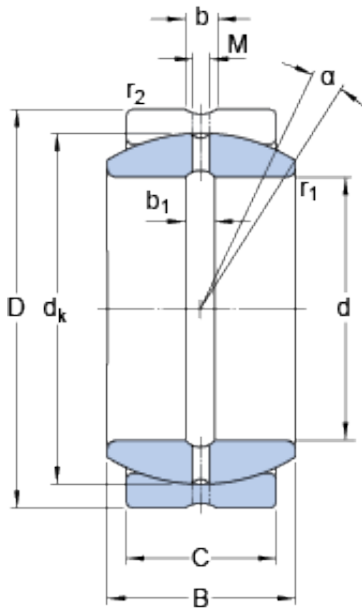




PCIF BEARING LIMITED

40 mm x 62 mm x 28 mm skf ge 40 es bearing

Bearing No. ge 40 es



ge 40 es Bearing 2D drawings and 3D CAD models

Size	62x40x28 mm
Bore Diameter	62 mm
Outer Diameter	40 mm
Width	28 mm
d	40 mm
D	62 mm
B	28 mm
C	22 mm
	7 °
d _k	53 mm
b	3.9 mm
b ₁	3.9 mm
M	2.5 mm
r ₁ - min.	0.6 mm
r ₂ - min.	1 mm
d _a - min.	43.6 mm
d _a - max.	45 mm
D _a - min.	50.3 mm
D _a - max.	57.8 mm
r _a - max.	0.6 mm
r _b - max.	1 mm
Basic dynamic load rating - C	100 kN
Basic static load rating - C ₀	500 kN
Specific factor dinamic load - K	100 N/mm ²



PCIF BEARING LIMITED

Specific factor static load - K_0	500 N/mm ²
Constant - K_M	330
Category	Spherical Plain Bearings - Radial
Inventory	0.0
Manufacturer Name	SKF
Minimum Buy Quantity	N/A
Weight / Kilogram	0.321
EAN	7316576609367
Product Group	B04264
Self Aligning	Yes
Rolling Element	Spherical Plain
Material - Outer Member	Steel
Material - Ball	Steel
Material - Liner	Not Applicable
Relubricatable	Yes
Enclosure	Open
Other Features	2 Piece Lubrication Hole and an Annular Groove in Both Rings
Long Description	40MM Bore; 22MM Housing Width; 62MM Outside Diameter; Spherical Plain; Steel Outer Member; Steel Ball; No Liner; 28MM Overall Width; Relubricatable
Inch - Metric	Metric
Category	Plain Bearings Spherical Radial
UNSPSC	31171515
Harmonized Tariff Code	8483.30.80.70
Noun	Bearing
Keyword 3	Spherical



PCIF BEARING LIMITED

Keyword String	Plain Spherical Radial
Manufacturer URL	http://www.skf.com
Manufacturer Item Number	GE 40 ES
Weight / LBS	0.705
Overall Width	1.102 Inch 28 Millimeter
Housing Width	0.866 Inch 22 Millimeter
Bore	1.575 Inch 40 Millimeter
Outside Diameter	2.441 Inch 62 Millimeter
bore diameter:	40 mm
inner ring material:	Chrome Steel
outside diameter:	62 mm
outer ring width:	22 mm
misalignment angle:	7 °
grade:	Commercial/Industrial
inner ring width:	28 mm
overall width:	28 mm
bearing type:	Radial
radial static load capacity:	500 kN
lubrication type:	Requires Lubrication
radial dynamic load capacity:	100 kN
closure type:	Open
operating temperature range:	-50 to +200 ° C ° F
outer ring material:	Chrome Steel
manufacturer upc number:	7316576609367
Lubricant	Regular relubrication – grease
Design (sliding contact surface combination)	Steel/steel
Sealing solution	-
	7 °
d _k	53 mm



PCIF BEARING LIMITED

b_1	3.9 mm
r_1 min.	0.6 mm
r_2 min.	1 mm
d_a min.	43.6 mm
d_a max.	45 mm
D_a min.	50.3 mm
D_a max.	57.8 mm
r_a max.	0.6 mm
r_b max.	1 mm
Basic dynamic load rating C	100 kN
Basic static load rating C_0	500 kN
Specific dynamic load factor K	100 N/mm ²
Specific static load factor K_0	500 N/mm ²
Material constant K_M	330
Mass plain bearing	0.32 kg