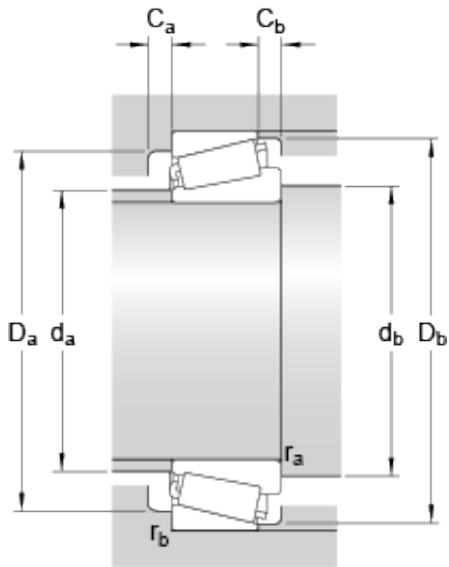




# PCIF BEARING LIMITED

## 35 mm x 72 mm x 28 mm skf 33207 bearing

Bearing No. 33207



33207 Bearing 2D drawings and 3D CAD models

| Dimension series                        | 2DE        |
|---|------------|
| d                                       | 35 mm      |
| D                                       | 72 mm      |
| T                                       | 28 mm      |
| d <sub>1</sub>                          | 53.45 mm   |
| B                                       | 28 mm      |
| C                                       | 22 mm      |
| r <sub>1,2</sub> min.                   | 1.5 mm     |
| r <sub>3,4</sub> min.                   | 1.5 mm     |
| a                                       | 18.084 mm  |
| d <sub>a</sub> max.                     | 43 mm      |
| d <sub>b</sub> min.                     | 43.5 mm    |
| D <sub>a</sub> min.                     | 61 mm      |
| D <sub>a</sub> max.                     | 64.5 mm    |
| D <sub>b</sub> min.                     | 68 mm      |
| C <sub>a</sub> min.                     | 5 mm       |
| C <sub>b</sub> min.                     | 6 mm       |
| r <sub>a</sub> max.                     | 1.5 mm     |
| r <sub>b</sub> max.                     | 1.5 mm     |
| Basic dynamic load rating C             | 104 kN     |
| Basic static load rating C <sub>0</sub> | 106 kN     |
| Fatigue load limit P <sub>u</sub>       | 11.8 kN    |
| Reference speed                         | 7000 r/min |
| Limiting speed                          | 9500 r/min |
| Calculation factor e                    | 0.35       |
| Calculation factor Y                    | 1.7        |
|   |            |



## PCIF BEARING LIMITED

|                          |         |
|--------------------------|---------|
| Calculation factor $Y_0$ | 0.9     |
| Mass bearing             | 0.53 kg |