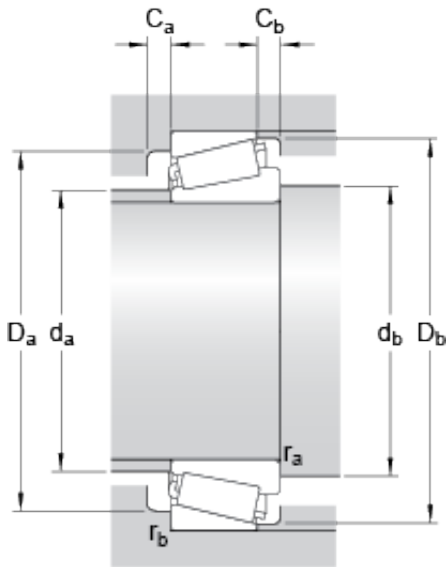




PCIF BEARING LIMITED

30 mm x 62 mm x 25 mm skf 33206 bearing

Bearing No. 33206



33206 Bearing 2D drawings and 3D CAD models

Dimension series	2DE
d	30 mm
D	62 mm
T	25 mm
d ₁	45.85 mm
B	25 mm
C	19.5 mm
r _{1,2} min.	1 mm
r _{3,4} min.	1 mm
a	15.747 mm
d _a max.	37 mm
d _b min.	37 mm
D _a min.	53 mm
D _a max.	56 mm
D _b min.	59 mm
C _a min.	4 mm
C _b min.	5.5 mm
Basic dynamic load rating C	79.7 kN
Basic static load rating C ₀	76.5 kN
Fatigue load limit P _u	8.5 kN
Reference speed	8500 r/min
Limiting speed	11000 r/min
Calculation factor e	0.35
Calculation factor Y	1.7
Calculation factor Y ₀	0.9
Mass bearing	0.35 kg



PCIF BEARING LIMITED