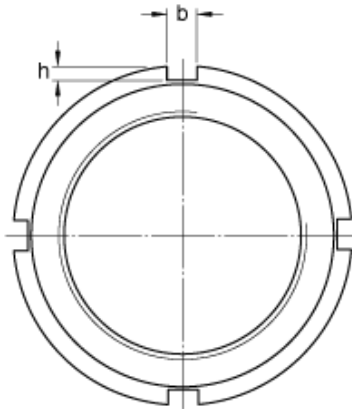
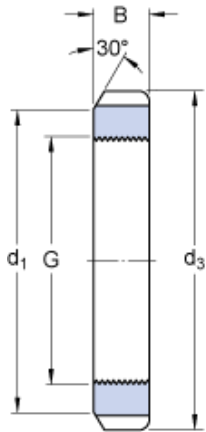




PCIF BEARING LIMITED



skf km 16 bearing

Bearing No. km 16

G	M 80x2
d ₃	105 mm
B	15 mm
d ₁	95 mm
b	8 mm
h	3.5 mm
Axial static load carrying capacity	173 kN
Mass lock nut	0.36 kg
Associated spanner	HN 16

km 16 Bearing 2D drawings and 3D CAD models