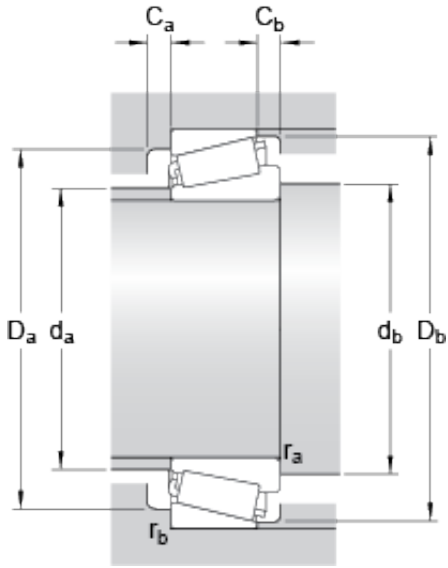




PCIF BEARING LIMITED

70 mm x 125 mm x 31 mm skf 32214 bearing

Bearing No. 32214



32214 Bearing 2D drawings and 3D CAD models

Dimension series	3EC
d	70 mm
D	125 mm
T	33.25 mm
d ₁	95 mm
B	31 mm
C	27 mm
r _{1,2} min.	2 mm
r _{3,4} min.	1.5 mm
a	28.104 mm
d _a max.	81 mm
d _b min.	80.5 mm
D _a min.	108 mm
D _a max.	116.5 mm
D _b min.	119 mm
C _a min.	4 mm
C _b min.	6 mm
r _a max.	2 mm
r _b max.	1.5 mm
Basic dynamic load rating C	195 kN
Basic static load rating C ₀	208 kN
Fatigue load limit P _u	24.5 kN
Reference speed	4300 r/min
Limiting speed	5300 r/min
Calculation factor e	0.43
Calculation factor Y	1.4



PCIF BEARING LIMITED

Calculation factor Y_0	0.8
Mass bearing	1.6 kg