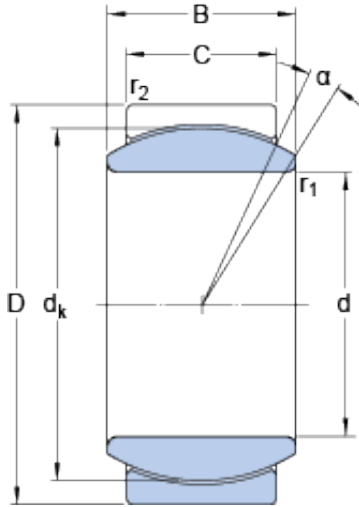




PCIF BEARING LIMITED



ge 20 c Bearing 2D drawings and 3D CAD models

20 mm x 35 mm x 16 mm skf ge 20 c bearing

Bearing No. ge 20 c

Size	35x20x16 mm
Bore Diameter	35 mm
Outer Diameter	20 mm
Width	16 mm
d	20 mm
D	35 mm
B	16 mm
C	12 mm
	9 °
dk	29 mm
r ₁ - min.	0.3 mm
r ₂ - min.	0.3 mm
d _a - min.	21.8 mm
d _a - max.	24.2 mm
D _a - min.	27.6 mm
D _a - max.	33.4 mm
r _a - max.	0.3 mm
r _b - max.	0.3 mm
Basic dynamic load rating - C	31.5 kN
Basic static load rating - C ₀	78 kN
Specific factor dynamic load - K	100 N/mm ²
Specific factor static load - K ₀	250 N/mm ²
Constant - K _M	1400
Category	Spherical Plain Bearings -



PCIF BEARING LIMITED

	Radial
Inventory	0.0
Manufacturer Name	SKF
Minimum Buy Quantity	N/A
Weight / Kilogram	0.07
EAN	7316576609251
Product Group	B04264
Self Aligning	Yes
Rolling Element	Spherical Plain
Material - Outer Member	Steel
Material - Ball	Steel
Material - Liner	Teflon Sintered Bronze
Relubricatable	No
Enclosure	Open
Other Features	2 Piece Maintenance Free Chrome Plated Ball Self Lubricating
Long Description	20MM Bore; 12MM Housing Width; 35MM Outside Diameter; Spherical Plain; Steel Outer Member; Steel Ball; Teflon Sintered Bronze Liner; 16MM Overall Width; Not Relubricatable
Inch - Metric	Metric
Category	Plain Bearings Spherical Radial
UNSPSC	31171515
Harmonized Tariff Code	8483.30.80.70
Noun	Bearing
Keyword 3	Spherical
Keyword String	Plain Spherical Radial
Manufacturer URL	http://www.skf.com
Manufacturer Item Number	GE 20 C



PCIF BEARING LIMITED

Weight / LBS	0.143
Overall Width	0.63 Inch 16 Millimeter
Bore	0.787 Inch 20 Millimeter
Outside Diameter	1.378 Inch 35 Millimeter
Housing Width	0.472 Inch 12 Millimeter
bore diameter:	20 mm
inner ring material:	Chrome Steel
outside diameter:	35 mm
outer ring width:	12 mm
misalignment angle:	9 °
race material:	PTFE Composite
inner ring width:	16 mm
radial static load capacity:	78 kN
bearing type:	Radial
radial dynamic load capacity:	31.5 kN
lubrication type:	Maintenance Free/Self-Lubricating
operating temperature range:	-50 to +150 ° C ° F
closure type:	Open
overall width:	16 mm
outer ring material:	Chrome Steel
manufacturer upc number:	7316576609251
Lubricant	Maintenance free – dry lubrication
Design (sliding contact surface combination)	Steel/PTFE sintered bronze
Sealing solution	-
	9 °
d_k	29 mm
r_1 min.	0.3 mm
r_2 min.	0.3 mm
d_a min.	21.8 mm



PCIF BEARING LIMITED

d_a max.	24.2 mm
D_a min.	27.6 mm
D_a max.	33.4 mm
r_a max.	0.3 mm
r_b max.	0.3 mm
Basic dynamic load rating C	31.5 kN
Basic static load rating C_0	78 kN
Specific dynamic load factor K	100 N/mm ²
Specific static load factor K_0	250 N/mm ²
Material constant K_M	1400
Mass plain bearing	0.065 kg