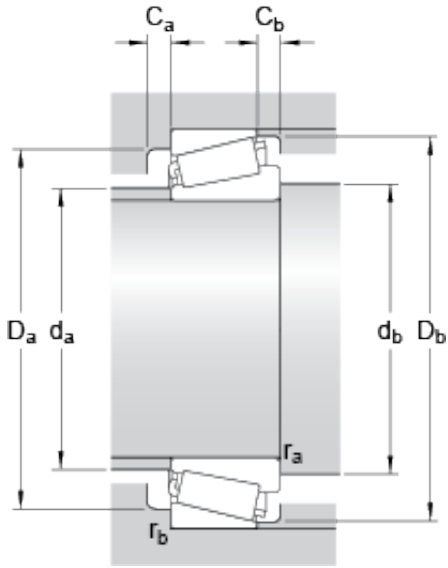




PCIF BEARING LIMITED



33205 Bearing 2D drawings and 3D CAD models

skf 33205 bearing

Bearing No. 33205

Dimension series	2CE
d	25 mm
D	52 mm
T	22 mm
d ₁	38.7 mm
B	22 mm
C	18 mm
r _{1,2} min.	1 mm
r _{3,4} min.	1 mm
a	13.873 mm
d _a max.	31 mm
d _b min.	32 mm
D _a min.	43 mm
D _a max.	46 mm
D _b min.	49 mm
C _a min.	4 mm
C _b min.	4 mm
r _a max.	1 mm
r _b max.	1 mm
Basic dynamic load rating C	57.9 kN
Basic static load rating C ₀	56 kN
Fatigue load limit P _u	6 kN
Reference speed	10000 r/min
Limiting speed	13000 r/min
Calculation factor e	0.35
Calculation factor Y	1.7



PCIF BEARING LIMITED

Calculation factor Y_0	0.9
Mass bearing	0.22 kg