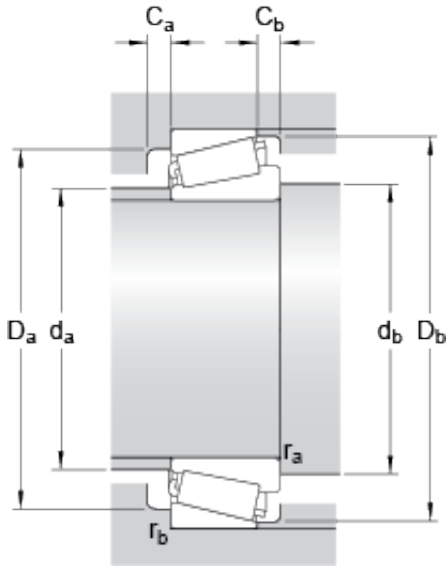




PCIF BEARING LIMITED

40 mm x 90 mm x 23 mm skf 30308 bearing



30308 Bearing 2D drawings and 3D CAD models

Bearing No. 30308

Dimension series	2FB
d	40 mm
D	90 mm
T	25.25 mm
d ₁	62.55 mm
B	23 mm
C	20 mm
r _{1,2} min.	2 mm
r _{3,4} min.	1.5 mm
a	19.031 mm
d _a max.	53 mm
d _b min.	49.5 mm
D _a min.	77 mm
D _a max.	82 mm
D _b min.	82 mm
C _a min.	3 mm
C _b min.	5 mm
r _a max.	2 mm
r _b max.	1.5 mm
Basic dynamic load rating C	106 kN
Basic static load rating C ₀	95 kN
Fatigue load limit P _u	10.8 kN
Reference speed	6300 r/min
Limiting speed	8000 r/min
Calculation factor e	0.35
Calculation factor Y	1.7



PCIF BEARING LIMITED

Calculation factor Y_0	0.9
Mass bearing	0.73 kg