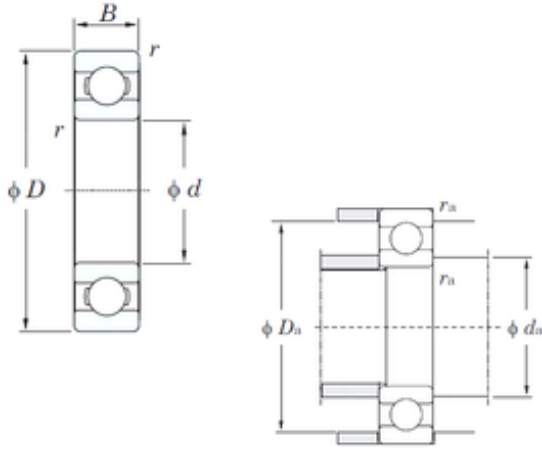




# PCIF BEARING LIMITED



20 mm x 42 mm x 12 mm koyo 6004 bearing

Bearing No. 6004

6004 Bearing 2D drawings and 3D CAD models

Size	20x42x12 mm
Bore Diameter	20 mm
Outer Diameter	42 mm
Width	12 mm
d	20 mm
D	42 mm
B	12 mm
C	12 mm
r min.	0,6 mm
da min.	24 mm
Da max.	38 mm
ra max.	0,6 mm
Weight	0,069 Kg
Basic dynamic load rating (C)	9,4 kN
Basic static load rating (C0)	5,05 kN
(Grease) Lubrication Speed	17000 r/min
(Oil) Lubrication Speed	21000 r/min
Category	Single Row Ball Bearings
Inventory	0.0
Manufacturer Name	KOYO
Minimum Buy Quantity	N/A
Weight / Kilogram	0.073
EAN	0605790043437
Product Group	B00308
Enclosure	Open
Precision Class	ABEC 1   ISO P0



## PCIF BEARING LIMITED

Maximum Capacity / Filling Slot	No
Rolling Element	Ball Bearing
Snap Ring	No
Internal Special Features	No
Cage Material	Steel
Internal Clearance	C0-Medium
Inch - Metric	Metric
Long Description	20MM Bore; 42MM Outside Diameter; 12MM Outer Race Diameter; Open; Ball Bearing; ABEC 1   ISO P0; No Filling Slot; No Snap Ring; No Internal Special Features
Category	Single Row Ball Bearing
UNSPSC	31171504
Harmonized Tariff Code	8482.10.50.68
Noun	Bearing
Keyword String	Ball
Manufacturer URL	<a href="http://www.koyousa.com">http://www.koyousa.com</a>
Manufacturer Item Number	6004
Weight / LBS	0.161
Outside Diameter	1.654 Inch   42 Millimeter
Bore	0.787 Inch   20 Millimeter
Outer Race Width	0.472 Inch   12 Millimeter
Bearing No.	6004
r(min)	0.6
Cr	11.7
C0r	5.05
Cu	0.350
f0	13.9
Grease lub.	17000
Oil lub.	21000



## PCIF BEARING LIMITED

da(min)	24
Da(max)	38
ra(max)	0.6
(Refer.)Mass(kg)	0.069