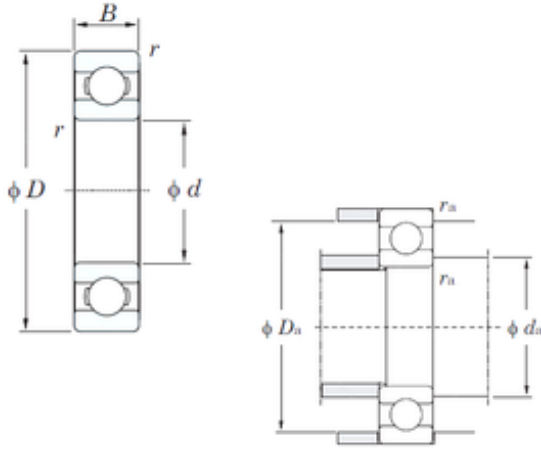




PCIF BEARING LIMITED



30 mm x 62 mm x 16 mm koyo 6206 bearing

Bearing No. 6206

6206 Bearing 2D drawings and 3D CAD models

Size	30x62x16 mm
Bore Diameter	30 mm
Outer Diameter	62 mm
Width	16 mm
d	30 mm
D	62 mm
B	16 mm
C	16 mm
r min.	1 mm
da min.	35 mm
Da max.	57 mm
ra max.	1 mm
Weight	0,199 Kg
Basic dynamic load rating (C)	19,5 kN
Basic static load rating (C0)	11,3 kN
(Grease) Lubrication Speed	11000 r/min
(Oil) Lubrication Speed	13000 r/min
Category	Single Row Ball Bearings
Inventory	2.0
Manufacturer Name	KOYO
Minimum Buy Quantity	N/A
Weight / Kilogram	0.217
EAN	0605790060847
Product Group	B00308
Enclosure	Open
Precision Class	ABEC 1 ISO P0



PCIF BEARING LIMITED

Maximum Capacity / Filling Slot	No
Rolling Element	Ball Bearing
Snap Ring	No
Internal Special Features	No
Cage Material	Steel
Internal Clearance	C0-Medium
Inch - Metric	Metric
Long Description	30MM Bore; 62MM Outside Diameter; 16MM Outer Race Diameter; Open; Ball Bearing; ABEC 1 ISO P0; No Filling Slot; No Snap Ring; No Internal Special Features
Category	Single Row Ball Bearing
UNSPSC	31171504
Harmonized Tariff Code	8482.10.50.68
Noun	Bearing
Keyword String	Ball
Manufacturer URL	http://www.koyousa.com
Manufacturer Item Number	6206
Weight / LBS	0.477
Outside Diameter	2.441 Inch 62 Millimeter
Bore	1.181 Inch 30 Millimeter
Outer Race Width	0.63 Inch 16 Millimeter
Bearing No.	6206
r(min)	1
Cr	24.3
C0r	11.3
Cu	0.800
f0	13.9
Grease lub.	11000
Oil lub.	13000



PCIF BEARING LIMITED

da(min)	35
Da(max)	57
ra(max)	1
(Refer.)Mass(kg)	0.199